

## SERVICE

### 2565GK, 2565GKM, AND 2565GKMS TELEPHONE SETS

### CONNECTIONS

#### 1. GENERAL

**1.01** This section contains information for the 2565GK (MD), 2565GKM (MD), and 2565GKMS telephone sets (Fig. 1 and 2).

**1.02** This section is reissued to:

- Show 2565GKM telephone set MD
- Add information on 2565GKMS telephone set
- Add D-181006 Kit of Parts (Polarity Guard)
- Add information on the 533K diode (or equivalent) which replaces KS-15724L1 diode.

**1.03** ♦The 2565GKMS telephone set is similar to the 2565GKM set except the new line switch is provided on the 2565GKMS which breaks both the tip and ring side of the line instead of the ring side only.♦

#### 2. CONNECTIONS

**2.01** These sets are factory-wired for use with 1A1, 1A2, 6A, or 6B key telephone systems (KTS), 4A speakerphone, and individual or common line ringer. They can be used with 1A KTS by modifying as shown in Fig. 3 and 4. Hold feature is not provided.

**2.02** Early model sets were furnished from the factory with H1A (MD) ringer, current models have H1B ringer. Provision is made for buzzer, ordered separately. Use spare pair and terminals to connect to equipment. When power failure feature is provided in the KTS, audible signal must be wired with capacitor in circuit.

**2.03** If 3-type (MD) speakerphone control unit is located near the telephone set, the mounting

cord conductors can be extended to the control unit by using a 149-type adapter or 66E-type connecting block. If control unit is located at the key equipment, extend the leads through an A25B connector cable or inside wiring cable. Speakerphone connections are shown in Division 512.

**2.04** ♦When a 2565GK (MD) or 2565GKM [(MD) manufactures prior to July 20, 1979] telephone set is not used as a speakerphone set and is multiplied with any other set capable of furnishing speakerphone feature, the T1 (V-G) and R1 (G-V) speakerphone leads must be disconnected, insulated, and stored at the telephone set. If not disconnected, these speakerphone leads will provide a common path between the circuits of the multiplied telephone sets. Speakerphone connections are shown in Division 512.♦

**2.05** Exclusion can be provided by the addition of a D-179935 Kit of Parts which must be ordered separately. Connect as shown in Table A.

**2.06** ♦When a polarity guard is required with these sets, a D-181006 Kit of Parts (ordered separately) can be installed and connected as shown in Table B.♦

**2.07** An 812559623 (P-25E962) terminal strip assembly (ordered separately) is available when additional terminating points are required for auxiliary services such as buzzers, lamps, etc.

**2.08** Installation instructions for the exclusion switch, polarity guard, and auxiliary terminal strip are given in Reference Section 502-500-120.

**2.09** All convertible key positions are supplied as pickup keys. To convert from pickup (locking) to signaling (nonlocking), remove the screw detail from key positions involved. Make necessary wiring changes as shown in Table C.

#### NOTICE

Not for use or disclosure outside the  
Bell System except under written agreement

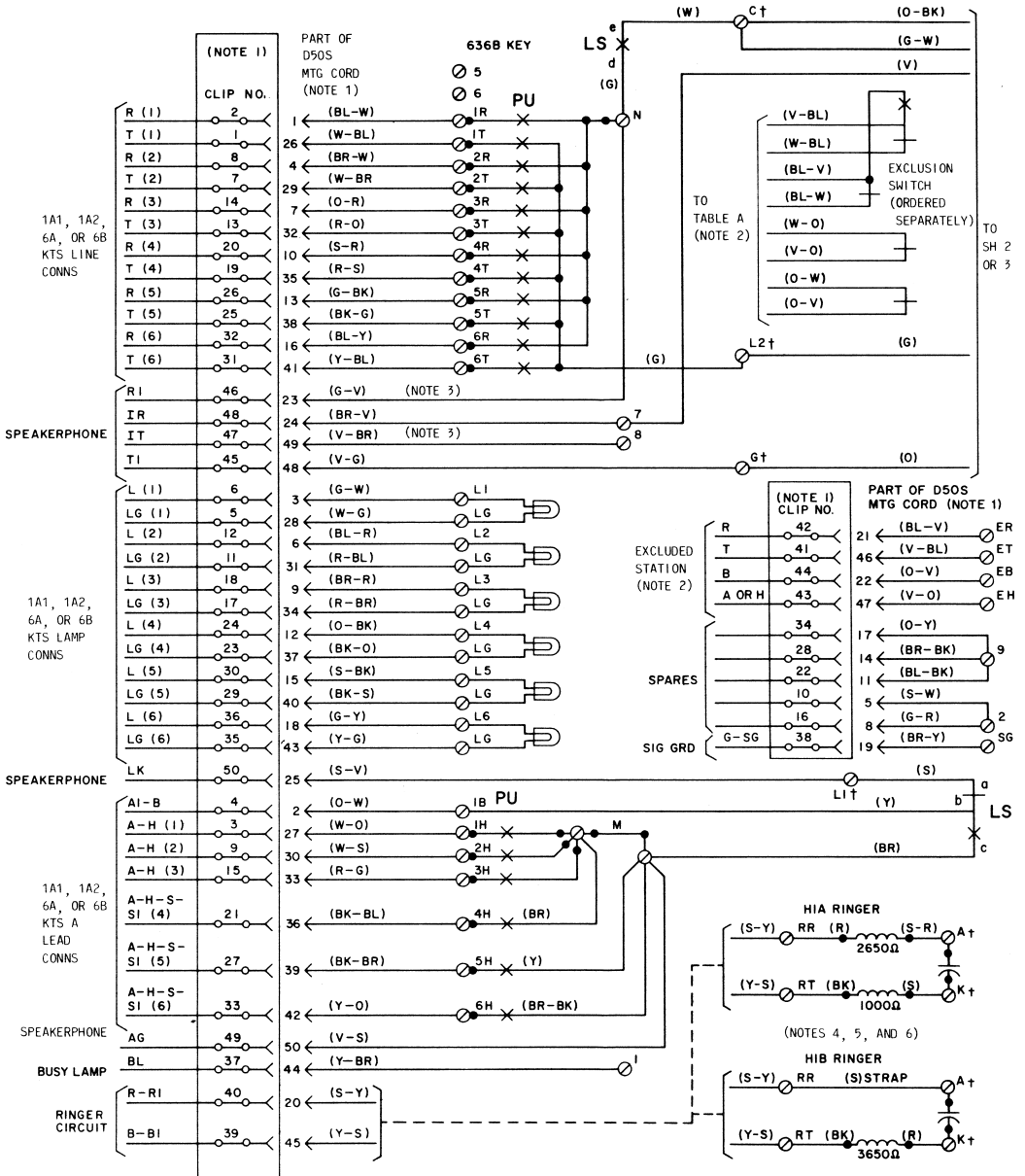


Fig. 1—2565GK (MD) or 2565GKM (MD) Telephone Set, Connections (Sheet 1 of 3)

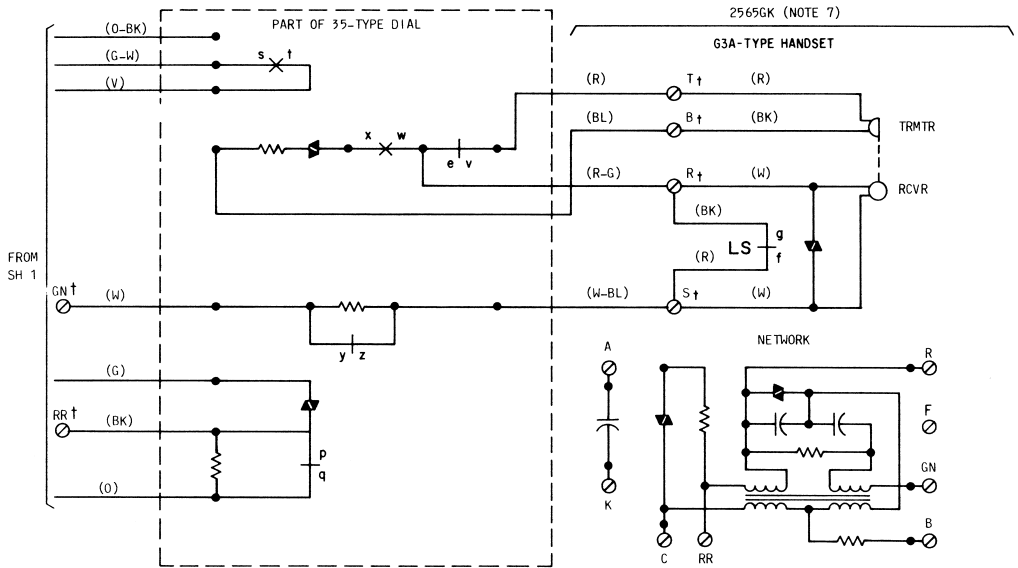
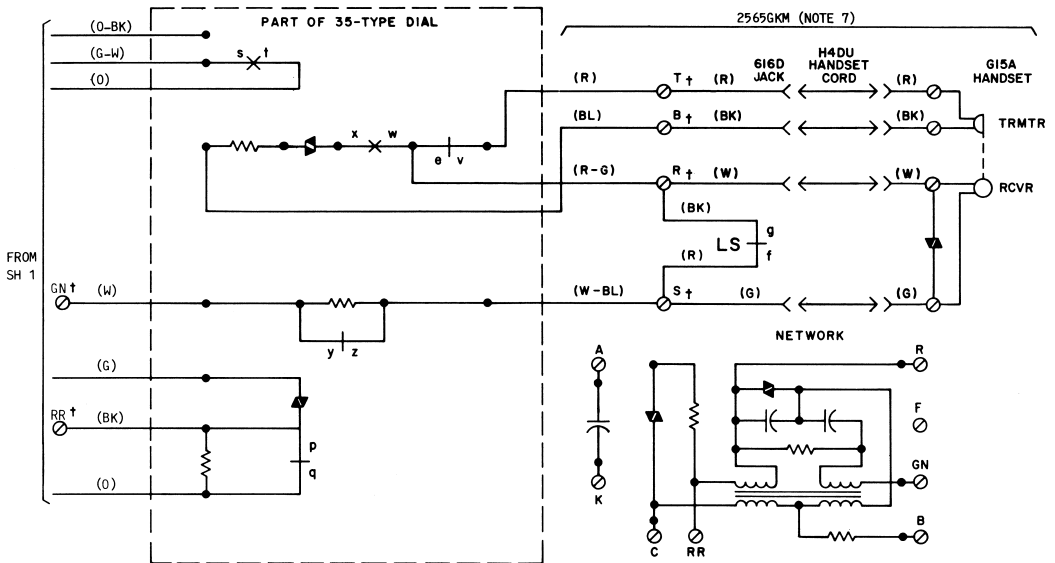


Fig. 1—2565GK (MD) or 2565GKM (MD) Telephone Set, Connections (Sheet 2 of 3)



NOTES:

1. 66E-TYPE CONNECTING BLOCK SHOWN. MOUNTING CORD MAY BE PLUGGED DIRECTLY INTO AN A25B CONNECTOR CABLE. COLORS AND PIN NUMBERS FOR CONNECTOR CABLE ARE SAME AS MOUNTING CORD.
2. IF EXCLUSION FEATURE IS ADDED, CONNECT SWITCH LEADS PER TABLE A.
3. DISCONNECT, INSULATE AND STORE T1 (V-G) AND R1 (G-V) MOUNTING CORD LEADS WHEN SET IS NOT USED AS A SPEAKERPHONE SET. THESE LEADS ARE INSULATED AND STORED IN 2526GKM SETS MANUFACTURED AFTER JULY 20, 1979. WHEN A SPEAKERPHONE IS INSTALLED CONNECT T1 (V-G) MOUNTING CORD LEAD TO NETWORK TERMINAL G AND R1 (G-V) MOUNTING CORD LEAD TO TERMINAL 9.
4. FOR BRIDGED RINGING ON ANY LINE USING H1A RINGER, CONNECT (R) RINGER LEAD TO RING AND (BK) RINGER LEAD TO TIP OF LINE INVOLVED. FOR BRIDGED RINGER ON ANY LINE USING H1B RINGER, REMOVE (S) STRAP LEAD FROM RR (KEY TERMINAL BOARD) AND CONNECT TO RING AND (BK) RINGER LEAD TO TIP OF LINE INVOLVED.
5. IF CAPACITOR IS NOT REQUIRED IN RINGER CIRCUIT MOVE (S) RINGER LEAD TO A OF NETWORK FOR H1A RINGER AND (R) RINGER LEAD TO A OF NETWORK FOR H1B RINGER.
6. TO SILENCE RINGER PERMANENTLY, REFER TO APPROPRIATE SECTION IN DIVISION 501.
7. 2565GK SETS ARE EQUIPPED WITH A HARD-WIRED G3A-TYPE HANDSET AND CORD. 2565GKM SETS ARE EQUIPPED WITH A G15A HANDSET, H4DU HANDSET CORD, AND 616D JACK.

LS - LINE SWITCH  
 PU - PICKUP KEY

† - NETWORK TERMINAL. UNDESIGNATED TERMINALS ARE ON KEY TERMINAL BOARD.

Fig. 1—2565GK (MD) or 2565GKM (MD) Telephone Set, Connections (Sheet 3 of 3)

**♦TABLE A♦**  
**EXCLUSION KEY CONNECTIONS—D-179935 KIT OF PARTS (ORDERED SEPARATELY)**

EXCLUSION	KEY TEL SYS	EXCLUSION KEY LEADS							
		BL-W	W-BL	O-W	W-O	BL-V	V-BL	O-V	V-O
On any line	1A	R*	T*	1B†	H*	ER	ET	EB	EH
	1A1, 1A2, 6A, or 6B	R*	T*	EB	H*	ER	ET	EB	EH

\* Terminal of line involved.

† When other than line 1 is excluded on 1A KTS, disconnect, insulate, and store O-W mounting cord conductor from terminal 1B; connect balance lead conductor from line involved to 1B.

**Note:** If exclusion feature is used, remove all B leads except one being used from key terminal board; insulate and store.

**♦TABLE B♦**  
**POLARITY GUARD CONNECTIONS—D-181006 KIT OF PARTS (840364376 POLARITY GUARD) SEE NOTE**

LEAD		REMOVE FROM		CONNECT TO	
		NET.	NET.	NET.	POLARITY GUARD
Dial	BK G-W	RR C			T S
Line Switch	W	C			S
Polarity Guard	G W		RR C		

**Note:** The 840364376 polarity guard replaces the 819040528 (P-90D052) guard assembly.

**♦TABLE C♦**  
**PICKUP-SIGNAL KEY CONVERSION**

KEY TEL SET	CONVERSION OPTIONS (NOTE)	636B KEY LEADS		
		(BR)	(Y)	(BR-BK)
2565GK (MD) 2565GKM (MD), or 2565GKMS	PPPPPP	M	M	M
	PPPPPS	M	M	SG
	PPPPSS	M	SG	SG
	PPPPSSS	SG	SG	SG
	PPPPP*S*	M	6H	†
	PPPP*P*S*	6H	6H	†

**Note:** To convert from pickup (locking) to signal (nonlocking), remove 811218924 (P-12A892) screw from the plunger at key position being converted.

\* These arrangements use line switch controlled ground for common signal key used with private or intercommunicating lines. Common signal should be used to operate a common signal relay. Do not wire directly to a buzzer.

† Connect with the (BR) line switch lead using the terminal shown for proper option and KTS required.

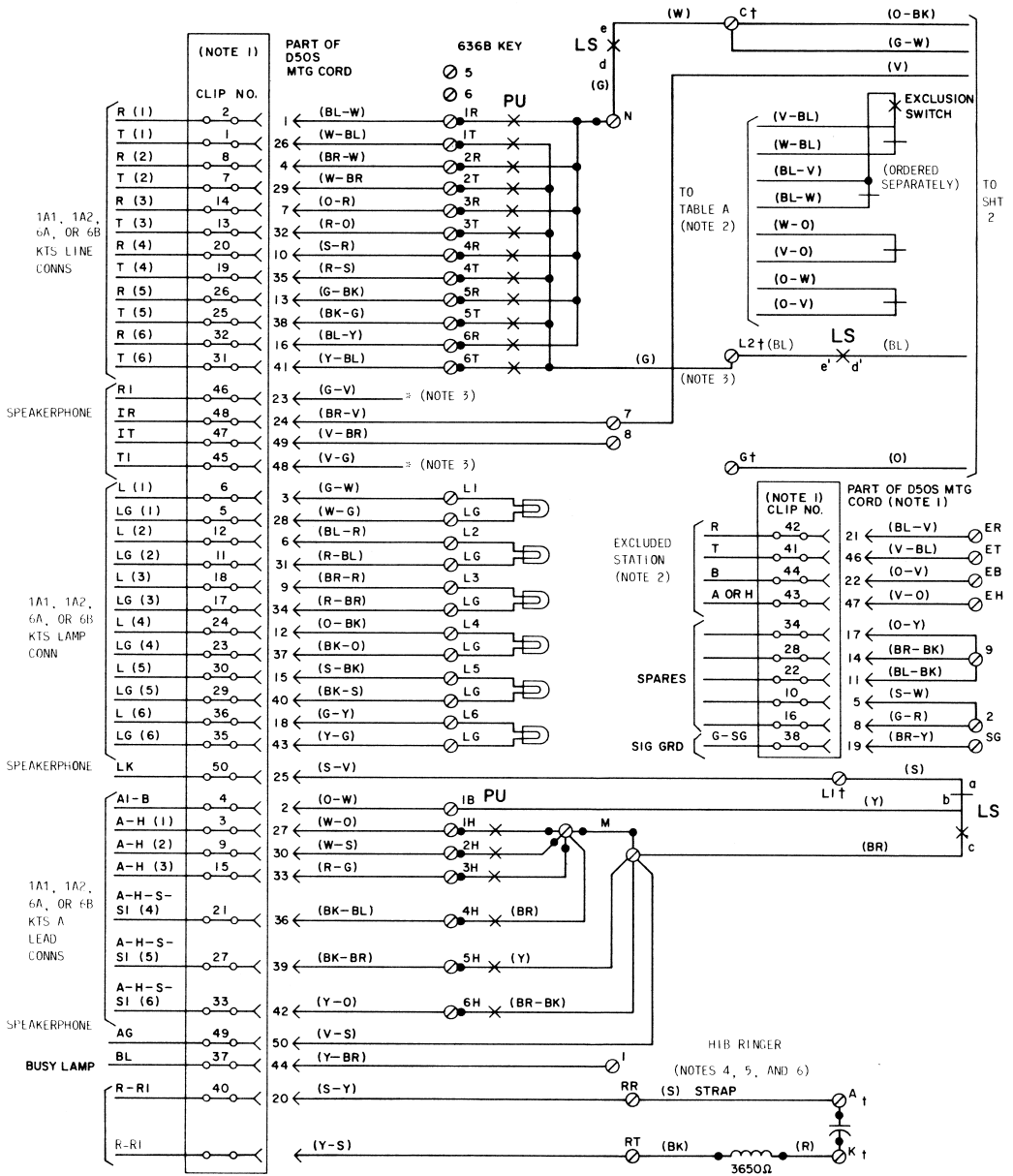
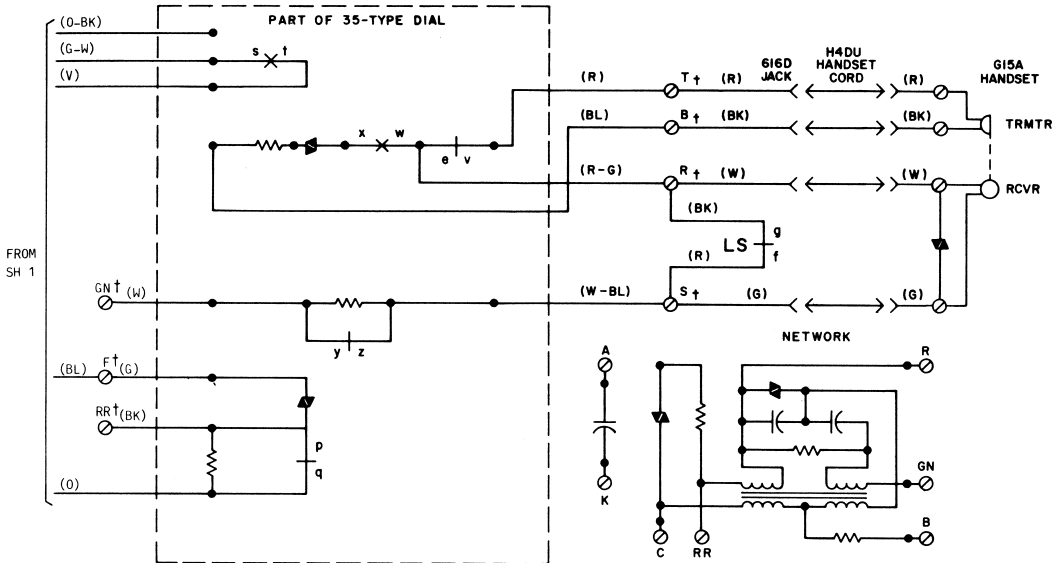


Fig. 2—2565GKMS Telephone Set, Connections (Sheet 1 of 2)



## NOTES:

1. 66E- TYPE CONNECTING BLOCK SHOWN. MOUNTING CORD MAY BE PLUGGED DIRECTLY INTO AN A25B CONNECTOR CABLE. COLORS AND PIN NUMBERS FOR CONNECTOR CABLE ARE SAME AS MOUNTING CORD.
2. IF EXCLUSION FEATURE IS ADDED. CONNECT SWITCH LEADS PER TABLE A.
3. WHEN A SPEAKERPHONE IS INSTALLED CONNECT (G-V) MOUNTING CORD LEAD TO TERMINAL N AND (V-G) MOUNTING CORD LEAD TO NETWORK TERMINAL G. ALSO, REMOVE (G) LEAD FROM NETWORK TERMINAL L2 AND CONNECT TO NETWORK TERMINAL F.
4. FOR BRIDGED RINGING ON ANY LINE USING H1B RINGER, REMOVE (S) STRAP LEAD FROM RR (KEY TERMINAL BOARD) AND (BK) RINGER LEAD FROM RT (KEY TERMINAL BOARD) AND CONNECT TO RING AND TIP RESPECTIVELY OF LINE INVOLVED.
5. IF CAPACITOR IS NOT REQUIRED IN RINGER CIRCUIT, MOVE (R) RINGER LEAD TO TERMINAL A OF NETWORK.
6. TO SILENCE RINGER PERMANENTLY, REFER TO APPROPRIATE SECTION IN DIVISION 501.

LS - LINE SWITCH

PU - PICKUP KEY

\* - INSULATED AND STORED

† - NETWORK TERMINAL. UNDESIGNATED TERMINALS ARE ON KEY TERMINAL BOARD.

Fig. 2—2565GKMS Telephone Set, Connections (Sheet 2 of 2)

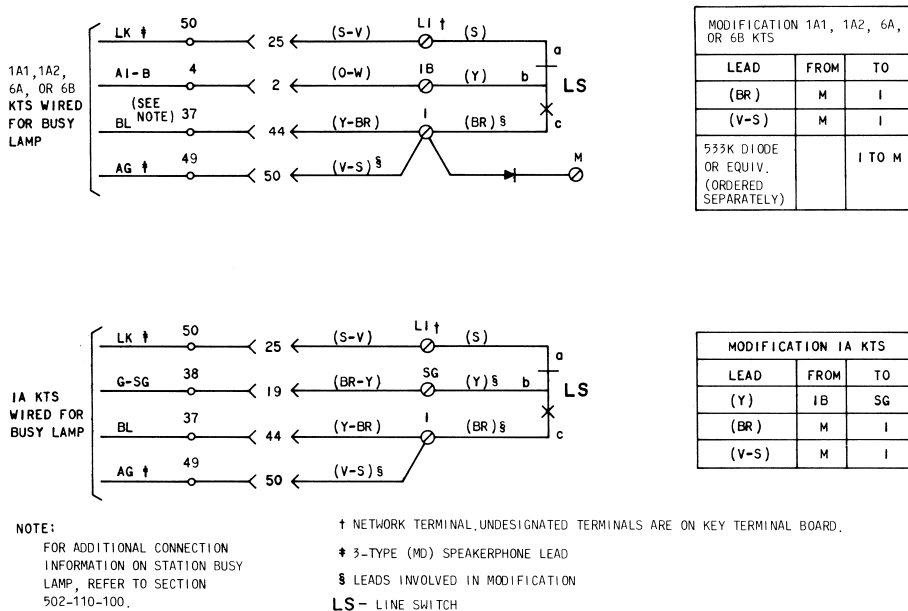
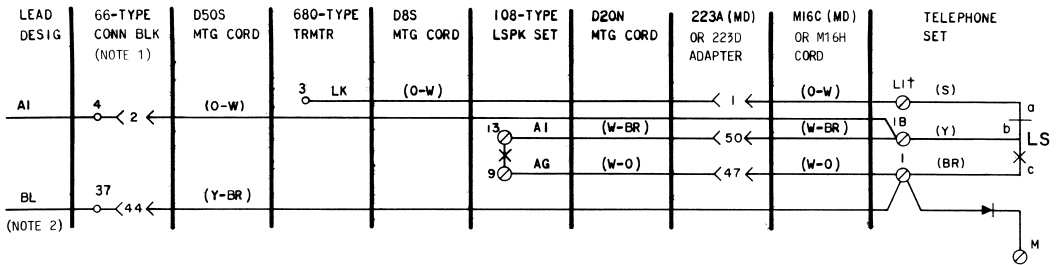


Fig. 3—Station Busy Lamp Circuit with 3-Type (MD) Speakerphone



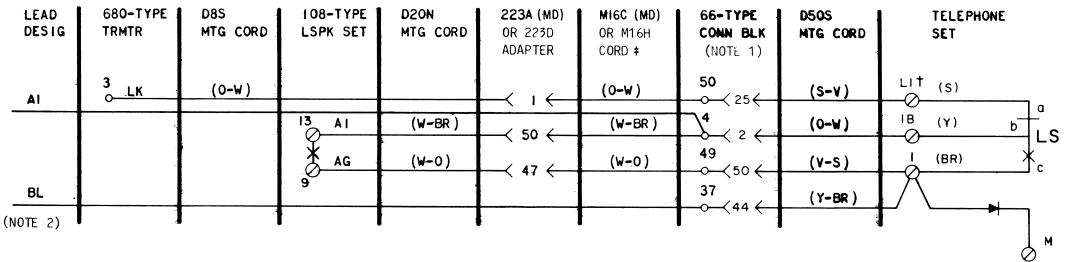


MODIFICATION 1A1,1A2,6A, OR 6B KTS		
LEAD	FROM	TO
(BR)	M	I
(W-0)	M	I
533K DIODE OR EQUIV (ORDERED SEPARATELY)		I TO M
S-V	L1+	*
V-S	M	*

NOTES:

1. 66-TYPE CONNECTING BLOCK SHOWN. MTG CORD MAY BE PLUGGED DIRECTLY INTO A25B CONNECTOR CABLE. COLORS AND PIN NUMBERS FOR CONNECTOR CABLE ARE SAME AS MTG CORD.
2. FOR ADDITIONAL CONNECTION INFORMATION ON STATION BUSY LAMP, REFER TO SECTION 502-110-100.

A. 1A1,1A2,6A, OR 6B KTS WIRED FOR BUSY LAMP WITH M16C (MD) OR M16H CORD TERMINATED IN TEL SET



MODIFICATION 1A1,1A2,6A, OR 6B KTS		
LEAD	FROM	TO
(BR)	M	I
(V-S)	M	I
533K DIODE OR EQUIV (ORDERED SEPARATELY)		I TO M

\* INSULATE AND STORE

† NETWORK TERMINAL. UNDESIGNATED TERMINALS ARE ON KEY TERMINAL BOARD

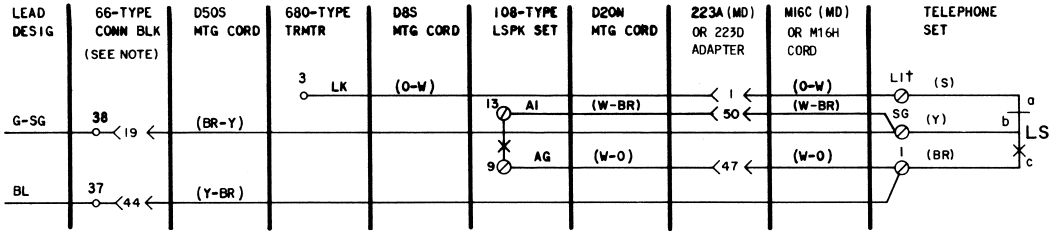
‡ 161A ADAPTERS REQUIRED TO CONNECT M16C (MD) OR M16H CORD AT 66-TYPE CONN BLK

LS LINE SWITCH

B. 1A1,1A2,6A, OR 6B KTS WIRED FOR BUSY LAMP WITH M16C (MD) OR M16H CORD TERMINATED AT 66-TYPE CONN BLK

Fig. 4—Station Busy Lamp Circuit with 4A Speakerphone (Sheet 1 of 2)

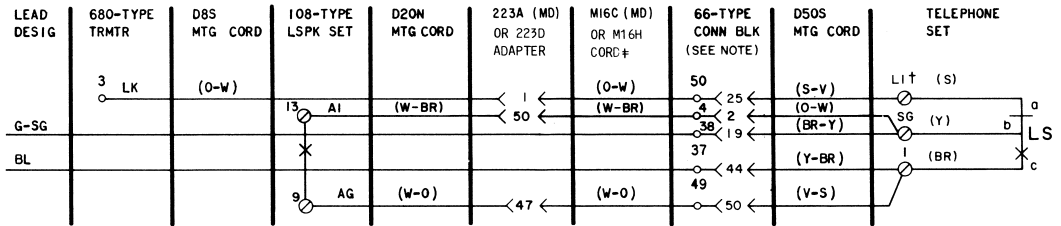
SECTION 502-543-403



MODIFICATION IA KTS		
LEAD	FROM	TO
(Y)	IB	SG
(BR)	M	I
(W-O)	M	I
(S-V)	LI†	*
(V-S)	M	*
(W-BR)	IB	SG

NOTE:  
 66-TYPE CONNECTING BLOCK SHOWN. MTG CORD MAY BE PLUGGED DIRECTLY INTO A25B CONNECTOR CABLE. COLORS AND PIN NUMBERS FOR CONNECTOR CABLE ARE SAME AS MTG CORD.

A. IA KTS WIRED FOR BUSY LAMP WITH M16C (MD) OR M16H CORD TERMINATED IN TEL SET



MODIFICATION IA KTS		
LEAD	FROM	TO
(Y)	IB	SG
(BR)	M	I
(V-S)	M	I
(O-W)	IB	SG

\* INSULATE AND STORE  
 † NETWORK TERMINAL, UNDESIGNATED TERMINALS ARE ON KEY TERMINAL BOARD  
 ‡ 161A ADAPTERS REQUIRED TO CONNECT M16C (MD) OR M16H CORD AT 66-TYPE CONN BLK  
 LS LINE SWITCH

B. IA KTS WIRED FOR BUSY LAMP WITH M16C (MD) OR M16H CORD TERMINATED AT 66-TYPE CONN BLK

Fig. 4—Station Busy Lamp Circuit with 4A Speakerphone (Sheet 2 of 2)